

TS □ -0005 series

Counter



# Instruction Manual

## Introduction

Thank you for purchasing this TAISUO product. Read this instruction manual and thoroughly familiarize yourself with the functions and characteristics of the product before using it. Keep this instruction manual for future reference.

## CAUTION

Do not touch terminals while power is being supplied. Doing so occasionally result in minor injury due to electric shock.

Perform correct setting of the product according to the application. Failure to do so may occasionally cause unexpected operation, resulting in minor or moderate injury or damage to equipment.

Ensure safety in the event of product failure by taking safety measures, such as installing separate overheating alarm system. Product failure may prevent control operations of alarm output, resulting in damage to the connected facilities and equipments.

Do not allow pieces of metal, wire clippings, or fine metallic shavings or filings from installation to enter the product. Doing so may result in electric shock, fire, or malfunction.

Do not use the product in locations where flammable or explosive gases are present. Doing so may result in minor or moderate explosion, causing minor or moderate injury, or property damage.

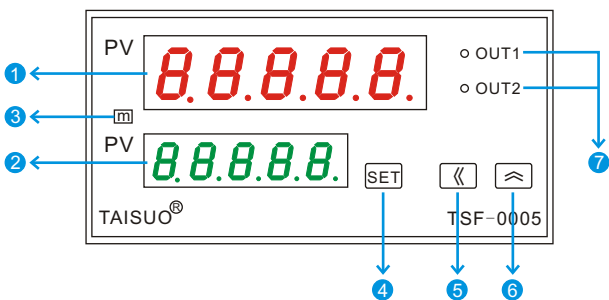
Do not attempt to disassemble, repair, or modify the product. Doing so may occasionally result in minor or moderate injury due to electric shock.

## Specifications

Power supply voltage:	100-240VAC (50/60HZ)
Input mode:	Proximity Switch, Photoelectric Switch, HALL Switch, Standard Voltage Switch, ON/OFF external signal
Alarm function:	2 alarms: Deviation high and deviation low alarm
Alarm output relay:	3A/250V (resistance)
Output delay time range:	1s to 99999s
Display:	5 pcs 7 segments LED display Process value and Setting value respectively
Clear up (reset "0") methods:	1) Press the clear up key 2) External signal 3) Automatic clear up, delay time setting is available
Working environment:	Temperature 0-50°C Humidity < 85%
Available size (W×Hmm):	TSG-0005: 48×48mm; TSE-0005: 48×96mm; TSD-0005: 72×72mm; TSF-0005: 96×48mm.

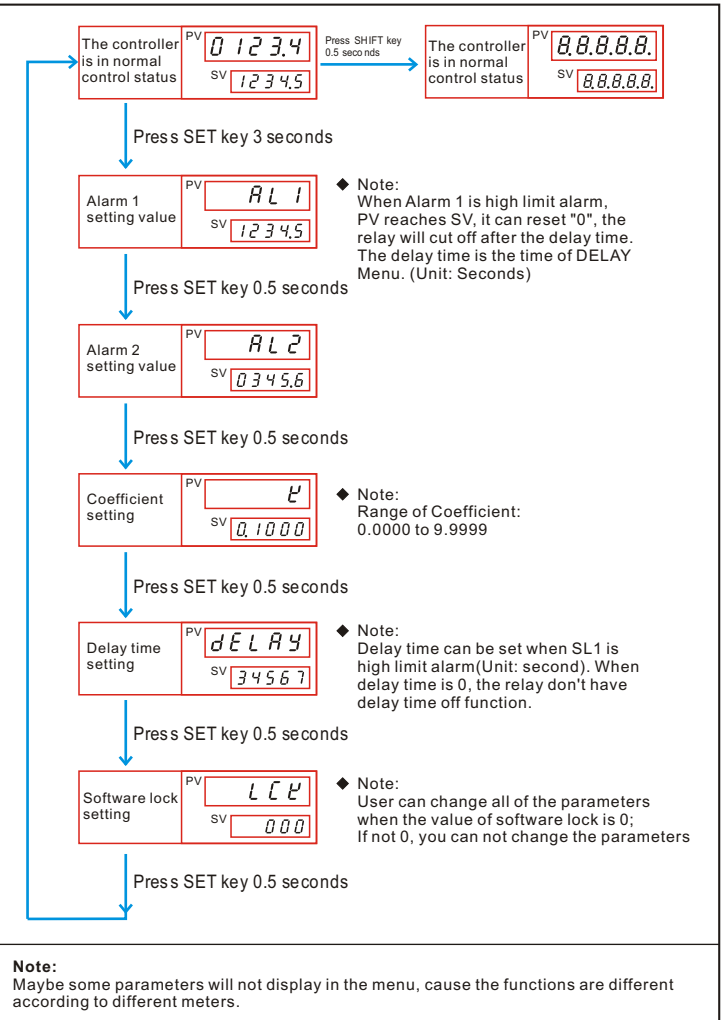
Also can be used as length counter

## Names of parts on front panel



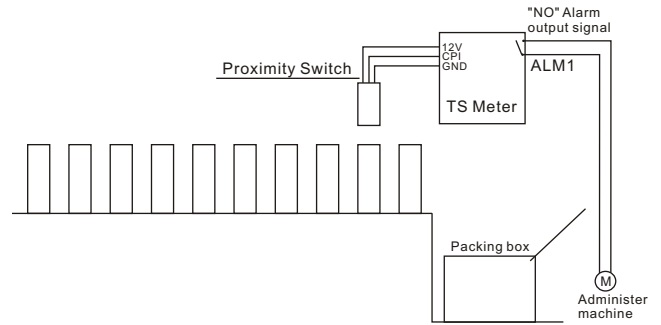
1. Display Process Value/Display parameter name
2. Display Set point/Display parameter content
3. Unit of Counter/Length Counter (Can be changed according to user's requests, such as m, pc, box and so on)
4. Set Key  
Press this key 3 seconds to enter parameter setting level
5. Shift key  
When the counter is in parameter status, it is used as Shift key;  
When the counter is in working status, it is used as Clear up(reset "0") key
6. Up key  
When the counter is in parameter status, it is used as plus key
7. Indicator light  
OUT1: Alarm 1  
OUT2: Alarm 2

## Parameters Menu



## Example

### Application of TSF-0005 Counter



### Principle

When PV count to 100 via Proximity Switch (if the setting value is 100), ALM1 output (delay time on users requests), drive the Administer machine packing automatic. Then enter into next status, PV reset to "0", finish the automatic control.

Ningbo Taisuo Technology Co., LTD  
 ADD: 2 East Yuzhou Road, Yuyao City, PC 315400, Ningbo, China  
 Tel: 0086-574-62505590  
 Fax: 0086-574-62506589  
 Email: taisuo@cnool.net  
 Http://www.taisuo.com

